

# Modular Solutions...



### Input Channel Model A

The A-series Input Channels are high speed Feeder Accumulators that can feed and read flat or half-folded sheets/coupons at speed of over 400 MPM (80,000 A4) print forms per hour. These modular mobile units, operating stand-alone or integrated into a system, can feed, read and accumulate variable multiple sets of 1-25 flats in cut sheet and/or continuous forms, or can be used as a job separator feeding various stuck and quantities.



### Input Channel Model VAF

The Input Channel VAF is the industry's fastest Feeder Accumulator Folder with the smallest footprint possible. This modular mobile unit can feed & read at speed of over 400 MPM A5 to A3 flat or half-folded sheet forms per hour, as well as it can dynamically letter-fold up to 8 sheets or half-fold up to 12 sheets. This unique Input Channel has many inbuilt features and options, such as over/under accumulation, pre-fold diverter, code slitters, 2 or 4 plate fold head etc.



### Input Channel Model DAF

The DAF Input Channel is a dual feeding module that can simultaneously feed two print streams of cut sheet and/or continuous forms on a single platform. This unique system allows color and mono prints, headers and followers to be fed, accumulated and merged into a single set of any combination before being folded and delivered to the inserter.

DAF can feed & read at speed of over 250 MPM A5 to A3 flat or half-folded sheet forms per hour per feed hopper, as well as dynamically letter-fold up to 8 sheets or half-fold up to 12 sheets. This Input Channel has many features and options such as over/under accumulation, pre-fold diverter, code slitters, 2 or 4 plate fold head etc.



### VDUI Mail Verification Divert System

The VDUI with its unique, patented tracking method of "read-hold-verification" can be used as a stand-alone unit or integrated with any inserting machine for end-of-line mail verification and reporting. As finished assembled envelopes pass through the VDUI, the camera/scanner reads the code at every cycle by holding the envelope for sequence checking before delivery to output conveyor stacker. Out of sequence envelopes are diverted and tagged in the run file for audit report generation and reconciliation. The VDUI is capable to read the industry-standard codes (1D, 2D, OCR, IMB, etc.) \*Patent



### Ink Jet printer

This im Ink Jet Printer is a printing & scanning system for printing and verifying the printed data. The misprints can be diverted into an inbuilt diverter for uninterrupted workflow. The scanners read and store data for verification and reconciliations. The system's integrated feeder with its sheet separator, double sheet detector and inbuilt control system, ensures continual positive single sheet feed.



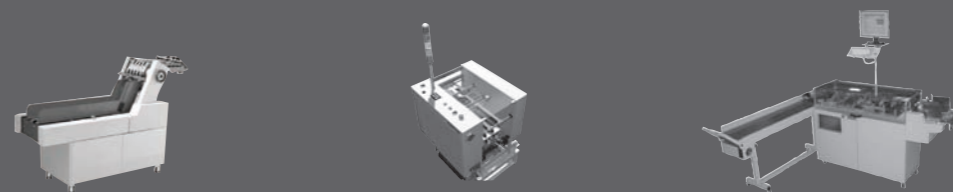
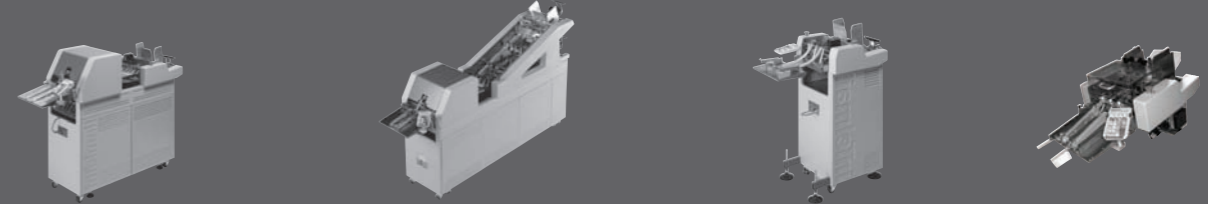
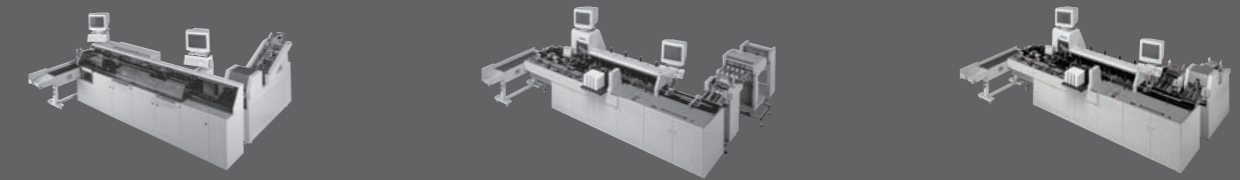
### Input Channel Model AM

The AM Input Channel is a high speed Feeder Accumulator on a mobile stand especially designed for in-line applications on poly and paper wrapping systems and can easily be moved from system to system.

This Input Channel can feed and read flat or half-folded sheets /coupons at speed of over 400 MPM (80,000 A4) print forms per hour. This modular mobile unit, operating stand-alone or integrated into a system, can feed, read and accumulate variable multiple sets of 1-25 flats in cut sheet and/or continuous forms.



Transactional Mail Direct Mail Transpromotional Mail Match Mail Return Mail  
Response Mail Mail Verification Selective Mail Targeted Mail Essential Mail



im Input Channels are modular, flexible and material tolerant feeders designed for use as standalone modules or integrated with other finishing equipment to create fully featured intelligent mail processing systems.

When integrated into an inserting or wrapping system these Input Channels feed, read, accumulate and deliver variable multiple sheet sets to finishing systems for adding selected enclosures, diverting, metering and other finishing functions as required.

im Input Channels feed & read over 400 mpm / 80,000 A4 portrait sheets per hour, which makes these feeders the fastest in the industry.

### Representative Information

**im connect Pty. Ltd.**  
16 / B Mars Road  
Lane Cove, NSW 2066  
Tel +61 2 9427 6700  
Fax +61 2 9418 7798  
www.imconnect.com.au  
systems@imconnect.com.au

**im connect USA Inc.**  
9965 Horn Road  
Suite D  
Sacramento, CA 95827  
Tel (916) 361 9300  
Fax (916) 361 3559



*Solutions that work!*



**Foundation**

im connect has taken its roots from the tough commercial mailing industry, which is extremely dependent on versatility and reliability. This environment has given im connect a background that is entirely 'Application & Solution' driven with 'hard-learned lessons and well-founded sensibilities' serving as the foundation for our systems design and integration philosophy.

These sensibilities, coupled with over thirty years of international partnering experience with mail generators, mailing bureaus and digital printing suppliers, has given im connect a very clear understanding of complex, error-free mailing requirements. As well, the need for trouble-free installation and quick response support, low running costs and the best return on investment are all kept firmly in mind.

**Philosophy**

*Designing and Manufacturing of Cost Effective Solutions that 'Work Simply and Simply Work!'*

**Platform**

With this background and philosophy, im connect designs, manufactures and offers reliable and cost effective integrated systems for any mail processing applications.

**Modular Solutions**

All im connect modular input channels, operating software, and range of pre and post processing modules can be integrated with a variety of high speed inserters for creating fully featured, intelligent and flexible mailing systems.

**System Operation Overview**

At the highest speeds and with the smallest foot-print in the industry, im connect's intelligent and modular input channels feed, read, match, accumulate, merge and fold variable multiple document sets in cut sheet or continuous format, from single or multiple print streams before delivery to a fully integrated inserter for adding selective or matched enclosures, and other finishing functions such as printing & personalization, metering, conveyor stacking or automatic traying.

**Cut Sheet and Continuous Input Formats?**

Only one im connect input channel is required for processing cut sheet and/or continuous formats, without the need of re-setup or changeover.

**Risk Elimination**

Cost-effectivity calculation formulas don't lie, but certain elements in it can, and do! So why leave it to chance?

Allow us to better understand your mailing needs and to share our well-established approach so you can eliminate your risk, and maximize your return on investment.

# *i\_mail.integrated solutions: Speed, Flexibility and Integrity in Perfect Harmony*

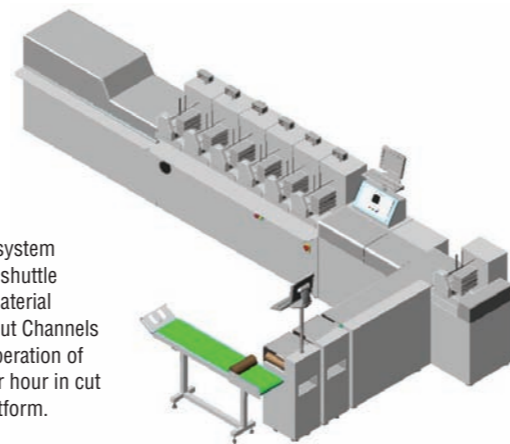
*i\_mail high speed material tolerant systems with inbuilt flexibility are one of the widely used integrated mailing platforms in a variety of configurations for short and long runs, in cut sheet and continuous print forms.*

*Integrated with servo driven rotary, friction and shuttle enclosure feeders for feeding wide range of materials and sizes, these systems operate on a single platform.*

*At the highest speed and with the smallest foot-print in the industry, i\_mail systems can be configured to suit any mailing application ensuring total accountability and integrity.*

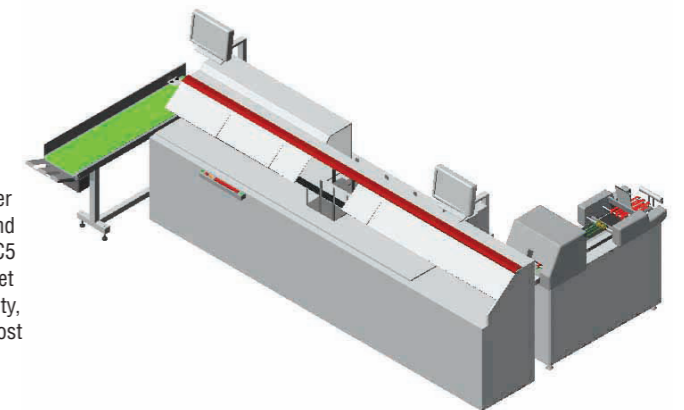
***i\_mail.600***

This high performance servo driven inserting system that offers interchangeable rotary, friction and shuttle enclosure feeders providing a wide range of material processing capabilities. Integrated with IM Input Channels this system ensures smooth and consistent operation of over 14,000 up to B5 (7" x 10") mail packs per hour in cut sheet and/or continuous forms on a single platform.



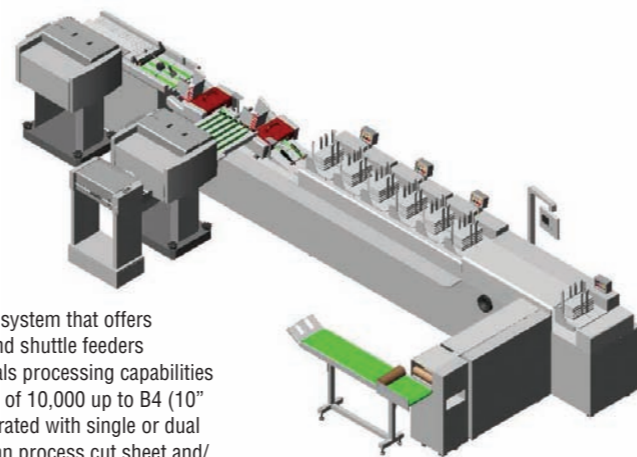
***i\_mail.SWIFT***

The imail\_Swift is a servo driven swing arm inserter with a unique control system that offers smooth and precise cycling with a speed of over 12,000 up to C5 (6" x 9 3/4 ") mail packs per hour, at much higher net throughput, greater flexibility, improved functionality, lower cost of ownership and certainly the lowest cost per mailpiece processed.



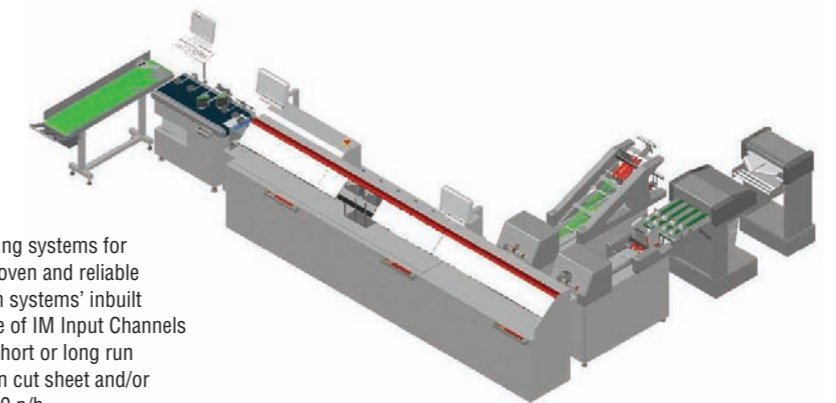
***i\_mail.300***

This flexible productive inserting system that offers interchangeable rotary, friction and shuttle feeders providing a wide range of materials processing capabilities in letter and flat formats at speed of 10,000 up to B4 (10" x 14") mail packs per hour. Integrated with single or dual IM Input Channels this system can process cut sheet and/or continuous forms from 1 to 120 sheets per mail pack.



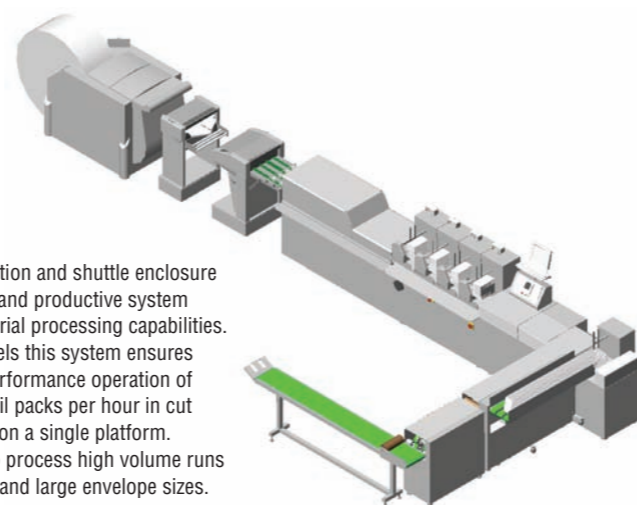
***i\_mail.c5***

This is one of the widely used inserting systems for transactional and direct mail. The proven and reliable gripper arm technology coupled with systems' inbuilt flexibility to integrated the vast range of IM Input Channels and Inkjet Printers, are suitable for short or long run of up to C5 (6" x 9 3/4 ") mail packs in cut sheet and/or continuous forms, at speed of 10,000 p/h.



***i\_mail.700***

This interchangeable rotary, friction and shuttle enclosure feeders is an extremely flexible and productive system providing greater range of material processing capabilities. Integrated with IM Input Channels this system ensures smooth, consistent and high performance operation of 16,000 up to B4 (10" x 14") mail packs per hour in cut sheet and/or continuous forms on a single platform. This is the machine of choice to process high volume runs with high sheet count for small and large envelope sizes.



***i\_mail.c4***

The flexible and versatile C5 / C4 (6" x 14") material tolerant, large-format document inserting system, integrated with single or multiple IM Input Channels, can process thick packages of financial and marketing material in cut sheet and/or continuous forms, at speed of 6,500 per hour.

